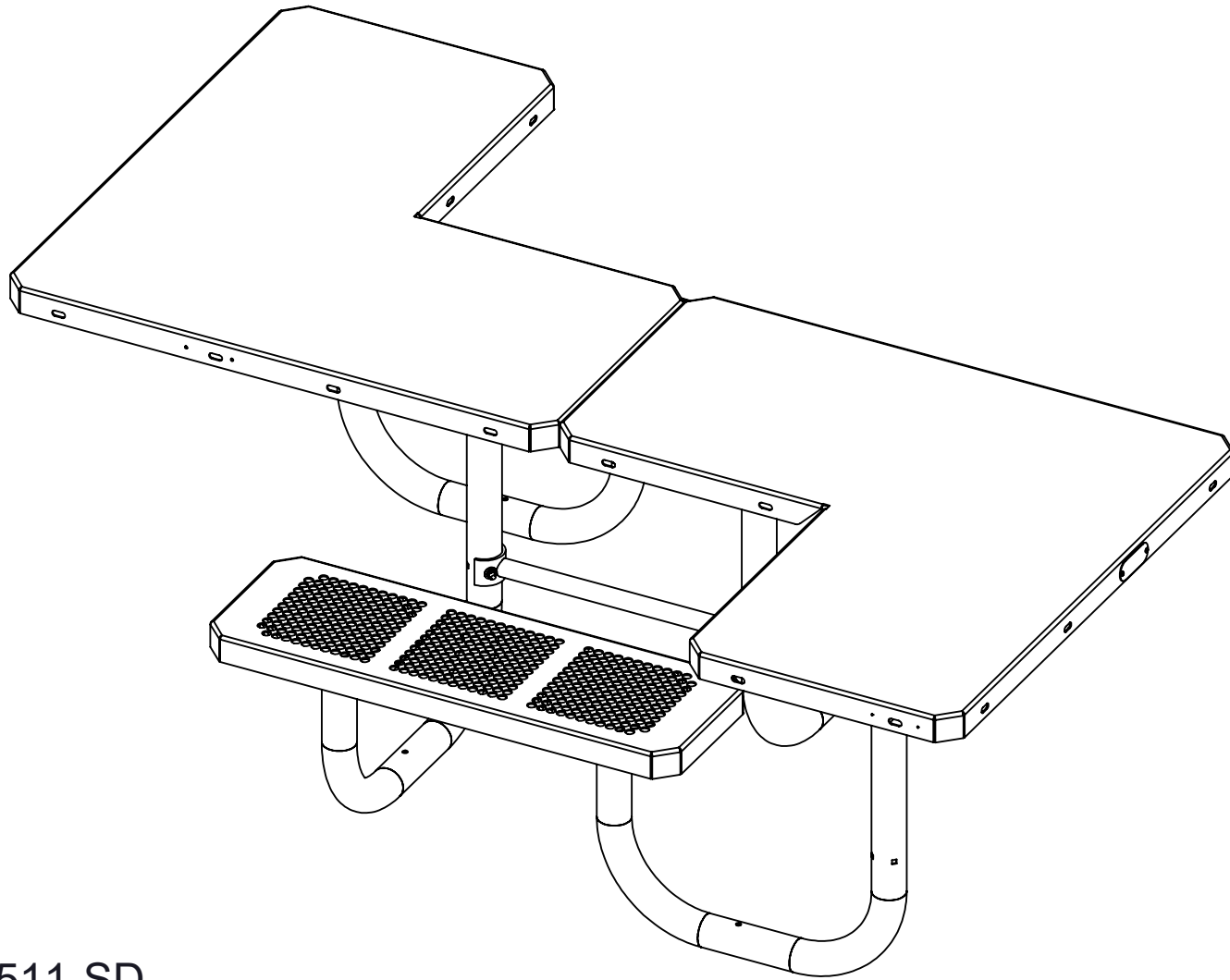




A PLAYCORE Company



Model # 511-SD

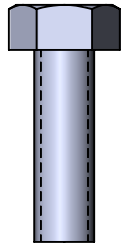


A PLAYCORE Company

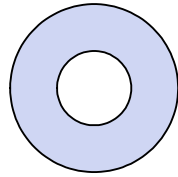
## **SAFETY WARNINGS & EQUIPMENT INSPECTION**

- Owners and installers please note these safety warnings and make use of this checklist on a regular basis.
- Follow installation instructions when erecting equipment.
- Ground surfaces around equipment should be restored as needed. Concrete footings should never be exposed. Surface depth should comply with ASTM and CPSC specifications.
- Check for and repair damage caused by wear or vandalism, a major factor in injury causing situations.
- All protruding bolts should be covered or cut off and finished smooth. Sharp edges on pipes should be capped or removed. Check for bent, broken, or severely worn pipe, and replace.
- All equipment should be free of rust and repainted whenever necessary to deter rusting.
- We provide our customers with layout sheets and installation instructions. Please keep on file the specifications sheet that contains the listing of every part used.
- Never add components not intended for use with this product.
- Regular maintenance is necessary in this and all park and recreational equipment to insure the safety of the user.
- Note: Proper maintenance of equipment requires regular tightening of all bolts, nuts, and setscrews.
- Note: Regular checking of all parts, castings, etc. should be made. If a part is broken or worn, it should be replaced immediately.
- Check to be sure all fittings are tight and that bars and pipes do not move.
- Replace all worn S-hooks. S-hooks must be completely closed. Failure to close S-hooks can result in serious injury to the user. NEVER reuse S-hooks.
- Test for free movement of swing hanger and other moving attached parts.
- Check for worn chains and replace them.
- A soft resilient surface should be placed under all swings extending at least twice the height of the top rail both front and back.

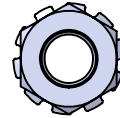
# HARDWARE



5/16" x 1"  
Machine Bolt



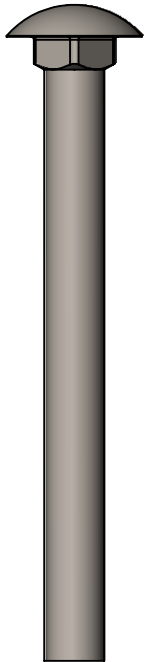
5/16" Flat Washer



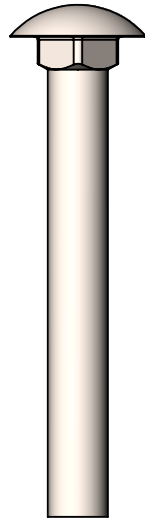
5/16" Kep Nut



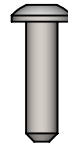
#8-32 Nylon Lock Nut



5/16" x 3-1/4"  
Carriage Bolt



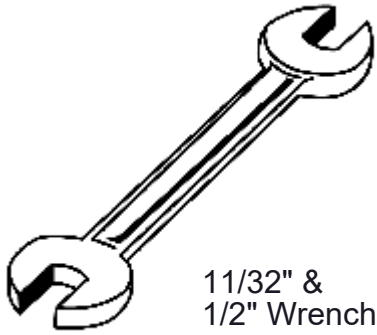
5/16" x 2-1/2"  
Carriage Bolt



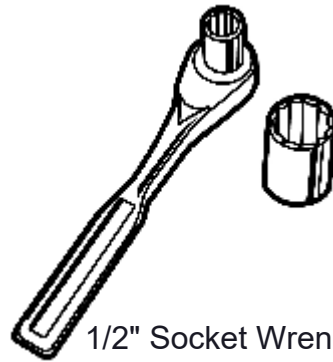
#8-32 x 5/8"  
Button Bolt

# TOOLS REQUIRED

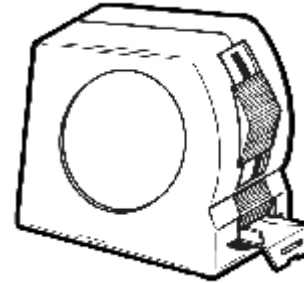
Tape Measure



1 1/32" &  
1/2" Wrench



1/2" Socket Wrench



Tape Measure



3/32" Allen Wrench

# ULTRA SITE PRODUCT SPECIFICATIONS

## 511-SD COLLABORATION STATION

Tops: Laser cut 12 gauge steel. The understructure/attachment plates are laser cut 7 gauge steel.

Seats: Laser cut 12 gauge steel. 5/8" diameter holes are laser cut. The understructure/attachment plates are fabricated from 7 gauge x 1-1/2" flat bar. Electrically MIG welded.

Coating: Oven fused functionalized polyethylene copolymer-based thermoplastic. Fluidized bed coating application with superior mechanical performance, impact resistance and UV-stability.

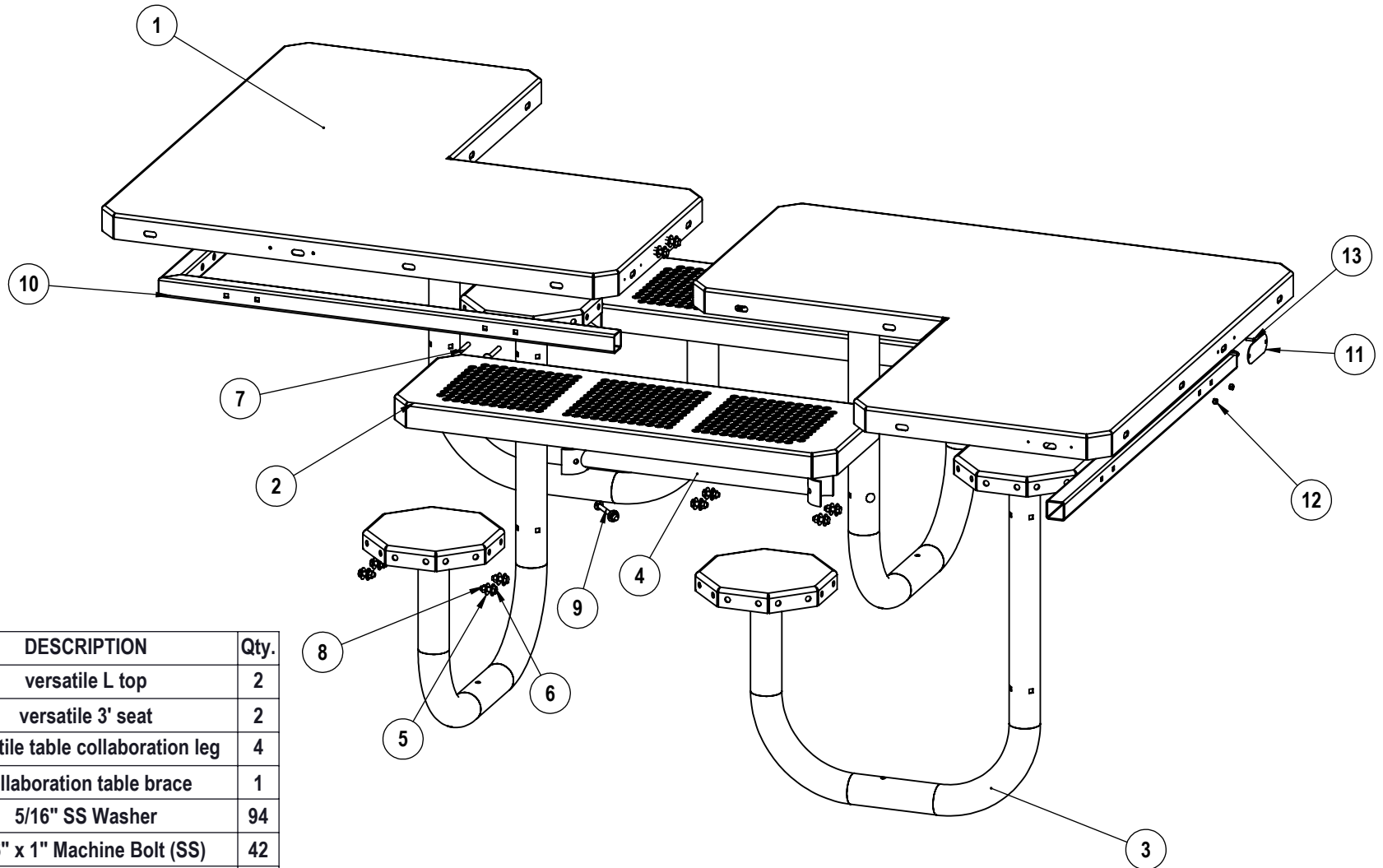
Frame: 2-3/8" O.D. x 12 gauge pre-galvanized structural steel tubing. Cross brace is 1-5/16" OD x 14 gauge pre-galvanized structural steel tubing. Seat and top mounting points are 7 gauge steel. Legs are bent over a mandrel through the bend radius producing a wrinkle free bend. All electrically MIG welded.

Frame Coating: Electrostatic powder coated application oven cured.

Hardware: Stainless steel hardware fasteners.

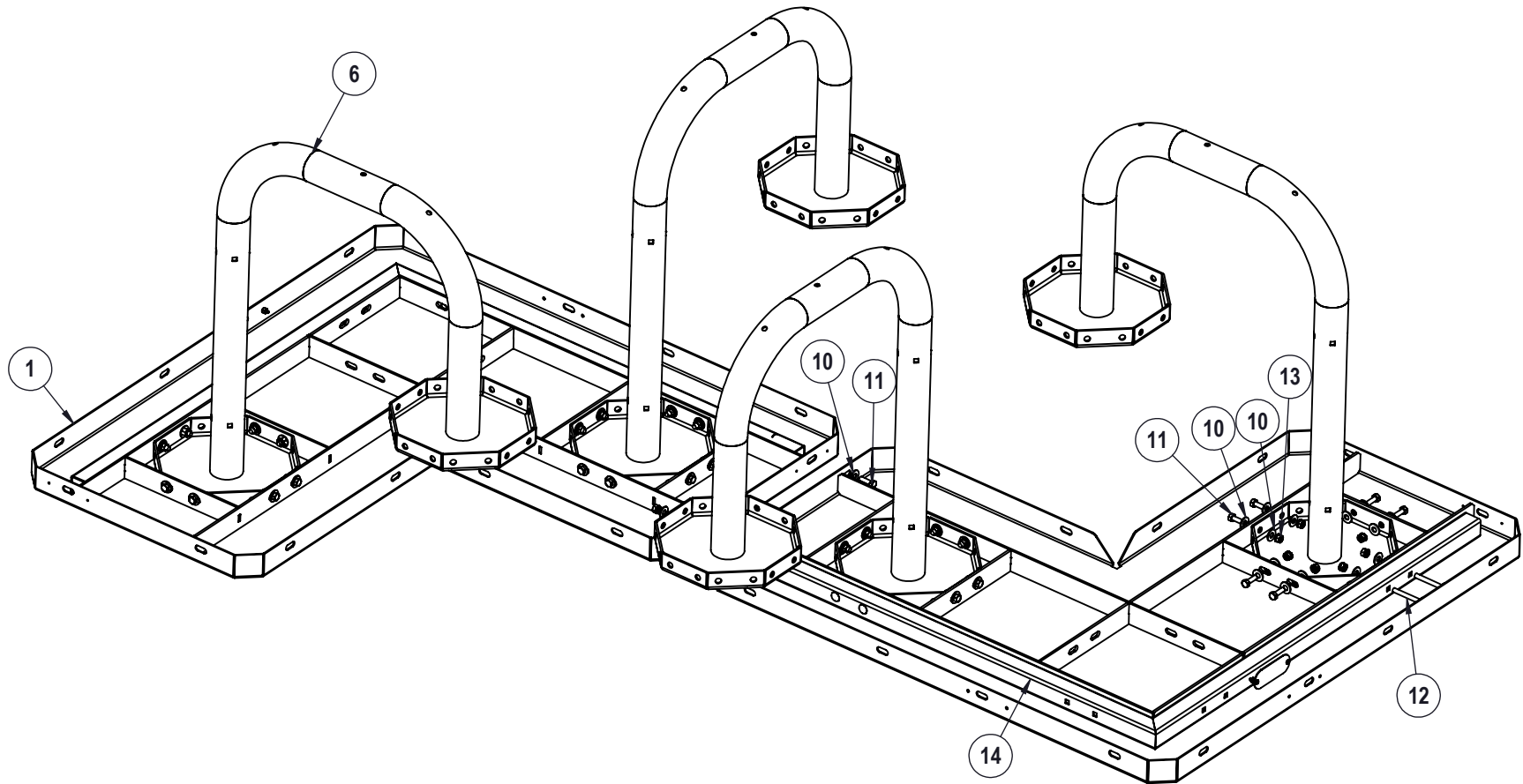
Dimensions: Tops are 42" x 42". Seats are 12" wide x 36" long. Outside to outside dimension is 84" x 63" x 30" high.

# COMPONENTS



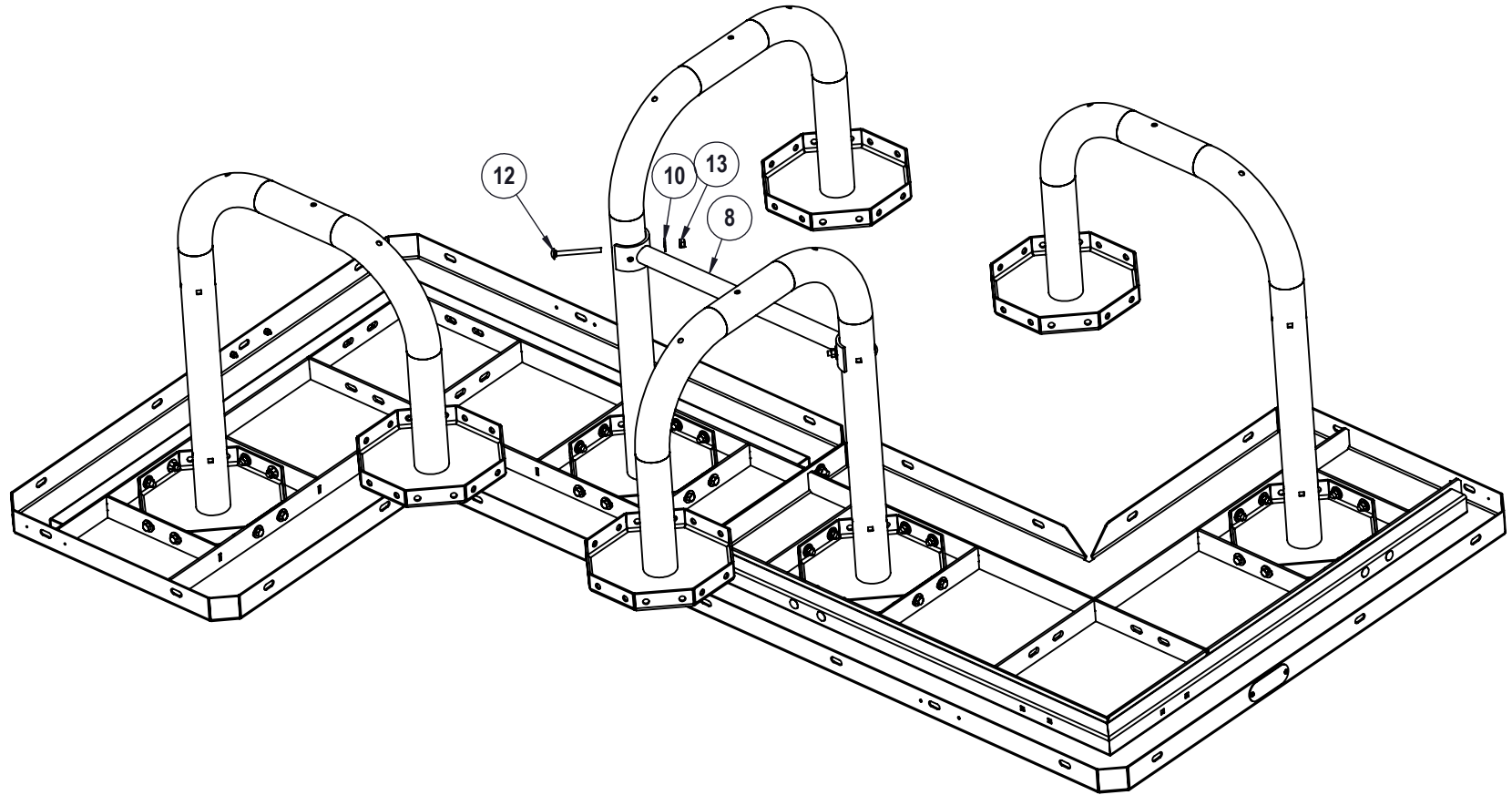
ITEM NO.	PartNo	DESCRIPTION	Qty.
1	01-04-0900	versatile L top	2
2	01-04-0906	versatile 3' seat	2
3	01-04-0916	versatile table collaboration leg	4
4	01-04-0917	collaboration table brace	1
5	33-02-0007	5/16" SS Washer	94
6	33-05-0029	5/16" x 1" Machine Bolt (SS)	42
7	33-06-0055	5/16" x 2-1/2" Carriage Bolt (SS)	8
8	33-03-0012	5/16" Kep Nut (SS)	52
9	33-06-0115	5/16" x 3-1/4" Carriage Bolt, SS	2
10	01-04-0926	outer long L support tube 37x37	2
11	01-04-0940	connections table ADA sign	2
12	33-03-0021	#8-32 nylon lock nut (SS)	4
13	33-06-0132	#8-32 x 5/8" Button Head Bolt (SS)	4

# STEP 1



USING A PROTECTIVE CLOTH ON THE GROUND, FLIP TABLE TOPS OVER. ATTACH TABLE TOPS TO EACH OTHER. ATTACH SUPPORT TUBES TO TABLE TOPS & LEGS TO THE TABLE TOPS.

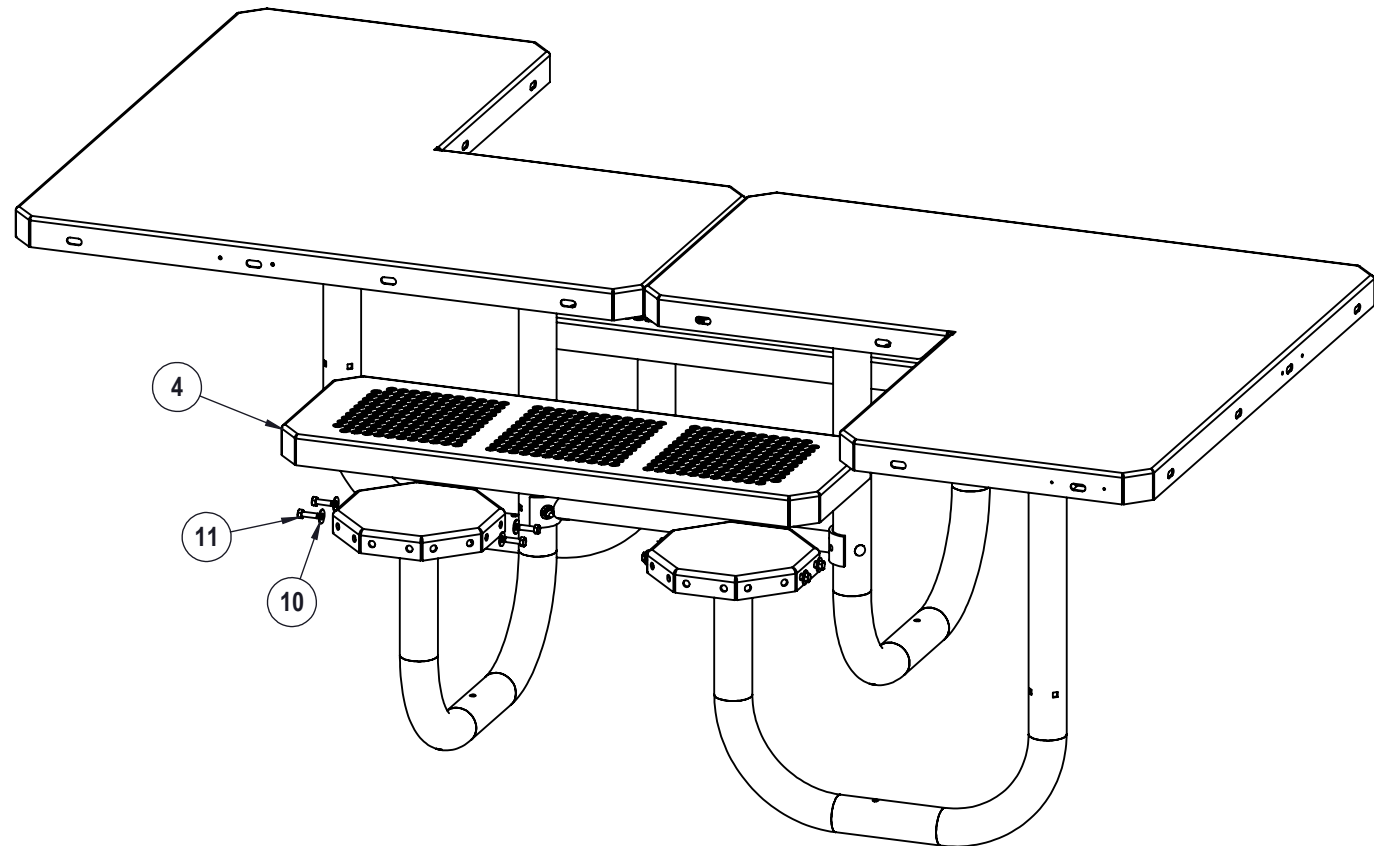
## STEP 2



ATTACH BRACE BETWEEN MIDDLE (2)  
LEGS.

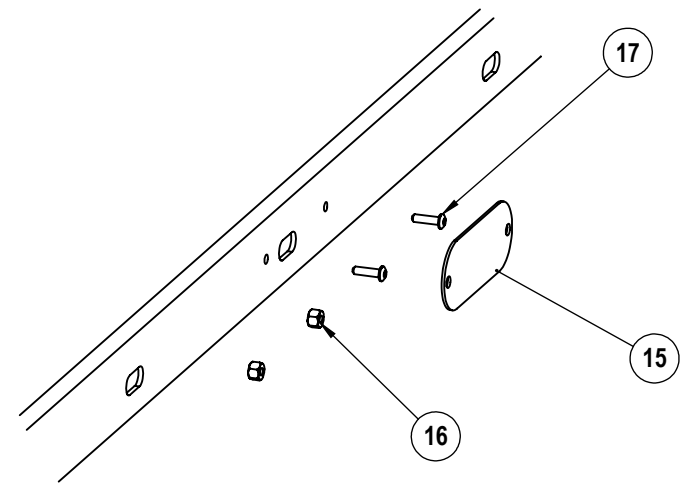
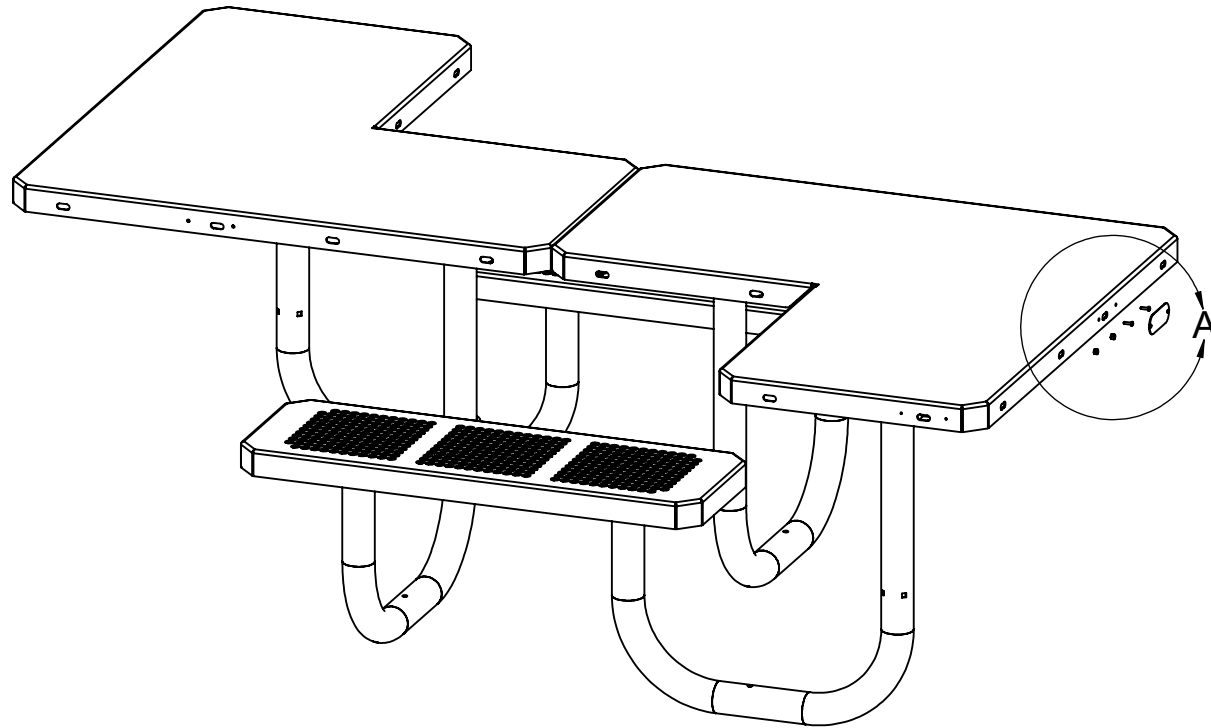


## STEP 3



USING A MINIMUM OF 2 PEOPLE, CAREFULLY FLIP TABLE RIGHT SIDE UP. ATTACH SEAT TO LEGS. REPEAT FOR ALL SEATS.

# STEP 4



Remove coating from the dimpled holes by drilling a 3/16" hole. Install the 2 ADA signs.

DETAIL A  
SCALE 1 : 4

# OVERALL DIMENSIONS

